

GENERAL FEATURES

- **TORK series S5018 (N.C and N.O) direct acting compressor solenoid valves are 3/2 way normally closed –normally open and have small body size.**
- **Solenoid valves with three ports in body enabling convenient installation**
- **Valves especially used on exhaust systems and and pneumatic control systems**
- **On request; high pressure**
- **Suitable for non-aggressive liquids (water, light oil (2E) etc...), gaseous fluids (air, inert gases etc...)**
- Working Temperature:-10°C / +160°C
- Not suitable for use with dangerous fluids listed in Group 1
- **Don't require any differential pressure**
- Compact and low weight valve enabling and quick installation
- High reliability, quality and performance; long life, corrosion resistance
- Wide pressure ratings, range of flow rate and orifice options
- Ideal for the automatic control of media in a wide range of applications
- TORK solenoid valves satisfy relevant 97/23/EC, Pressure Equipment Directive (PED) and 2006/95/EEC Low Voltage Directive (LVD).
- Coils interchangeable
- Flow factor Kv of each valve is indicated, so that the flow Q can be calculated as a function of pressure
- Solenoid valves must be used with filtered fluids.
- Solenoid valve can be mounted in any position without affecting operation; vertical with coil upwards preferred.
- Standard pipe connection is G (BSP) (ISO 228-1) and on request; other pipe connections are available (NPT (ANSI 1.20.3))

ELECTRICAL CHARACTERISTICS

- Continuous Duty : ED %100
- Coil Insulation Class : H (180°C)
- Coil Impregnation : Polyester Fiber Glass
- Coil Encapsulation Material : Fiber Glass Reinforced
- Ambient Temperature : from -10°C; +60°C
- Protection Degree : IP 65 (EN 60529) with coil duly fitted with the plug connector
- Electric Plug Connection : DIN 46340 3-poles connectors (DIN 43650)
- Connector Specification : ISO 4400 / EN 175301-803, Form A, Spade plug (Cable Ø6-8 mm)
- Electrical Safety : IEC 335
- Standard Voltages : For AC 12V, 24V, 48V, 110V, 230V
For DC 12V, 24V, 48V, 110 V

- Other voltages on request;
- Voltage Tolerances : For AC -15%; +10%, For DC -5%; +10%
- Frequency : 50 Hz , other frequencies on request; (60 Hz)
- On request; connector with LED
- Specify coil voltage with order

MATERIALS IN CONTACT WITH FLUID

- Body:Brass
- Internal Parts:Stainless Steel
- Sealing:FPM (VITON)
- Shading Ring:Copper
- Seats:Brass
- Core Tube:Stainless Steel
- Springs:Stainless Steel
- On request; nickel plated body

TECHNICAL FEATURES

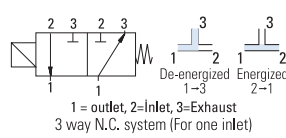
- Max Viscosity:5°E (~37cSt or mm²/s)
- Response Time:Opening Time:30 ms, Closing Time :30 ms
- Maximum Allowable Pressure:20 bar

Valve Type / Order no	Connection Size	Orifice size	Pressure (for air)				KV	Fluid Temperature		Seal	Weight
			N.C System	N.O System	Diversion System	Min. Bar		Max. Bar	Max. Bar		
S5018	G	mm	Min. Bar	Max. Bar	Max. Bar	Max. Bar	lt/min	°C			(kg)
S 5018 .00 .018	1/8"	1.8	0	4	7	16	1.5	-10	160	VITON	0.44
S 5018 .00 .025	1/8"	2.5	0	3	4	12	3	-10	160	VITON	0.44
S 5018 .00 .035	1/8"	3.5	0	1	2	10	5	-10	160	VITON	0.44
S 5018 .01 .018	1/4"	1.8	0	4	7	16	1.5	-10	160	VITON	0.43
S 5018 .01 .025	1/4"	2.5	0	3	4	12	3	-10	160	VITON	0.43
S 5018 .01 .035	1/4"	3.5	0	1	2	10	5	-10	160	VITON	0.43

Useful Informations

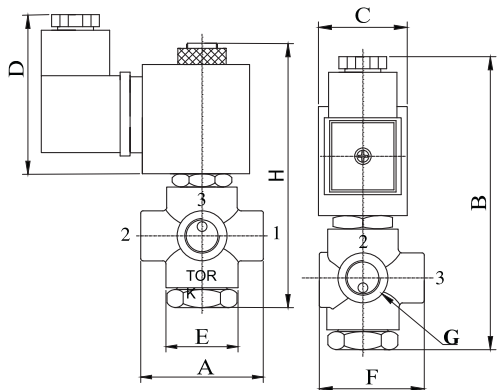
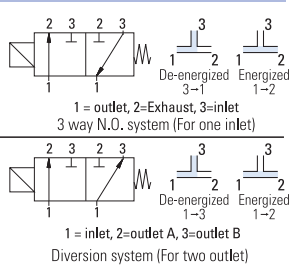
1 bar:14,5 PSI:10 mH₂O:10 N/cm²:1 kg/cm²:100000 Pa , 1 PSI:69 mbar,1 m³/h:4,405 GPM:16,7 L/d 1 Gallon / minute:0,227 m³/h, 0°C:89,6 F
Sealings:FPM (VITON):Fluoro-Carbon Elastomer

Three Port



Normally Closed

Normally Open



Dimensions (mm)

G	A	B	C	D	E	F	H
1/8"	44.2	105.5	32	57.3	26	37.8	95.2
1/4"	44.2	105.5	32	57.3	26	37.8	95.2